

XGA Multimedia Portable Projector



PLC-XM80/ XM80L

Bright Images, Versatile Installation, and Flexible Applications for Professional Use.

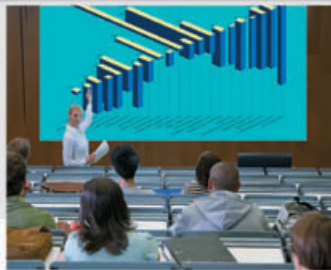


Advertising and Cinema-Adverts

Educational Use

Showrooms and Business Use

Exhibitions, Event and Amusement



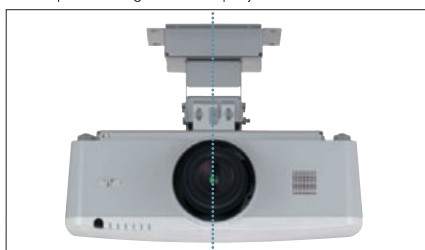
Brightness of
5,000 lumens

Terminals



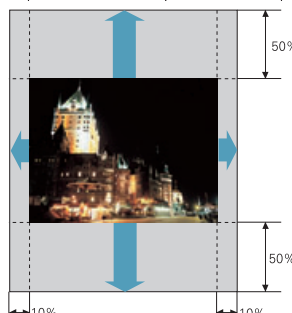
Lens center layout (symmetry)

A symmetrical design with the lens in the center of the projector has been adopted to suit ceiling installation in particular. This allows the projector and the screen to be centered together, which not only makes design and installation much easier, but also offers a sense of greater stability through symmetry of the positioning between projector and screen.



Powered lens shift (Vertical , Horizontal)

Featuring both vertical and horizontal lens shift (vertical: +/- 50 %, horizontal: +/- 10 % (maximum)), the PLC-XM80/ XM80L enables intuitive operation for easy on-site setup.



Interchangeable Lenses

Makes on-site setup easier by serving as a guide for setting adjustments.

PLC-XM80:LNS-S20 (Standard accessory)
PLC-XM80L:Optional



Powered zoom and focus

Zoom and focus can be carried out electronically, so that adjustments can be made easily (smoothly). Of course operations can also be carried out using the remote control, so that adjustments can be carried out easily from a distance even after the projector has been installed in a high location.

Easier Replacement

Lamp replacement has been simplified to make maintenance easier. Easy removal and replacement of the lamp from the top. Of course the lamp can also be replaced easily even if the projector is ceiling mounted.



Interchangeable Lenses (Optional)

To enable projection in various locations, the lens lineup extends from short to long focus lenses. No additional tools are necessary for changing lenses. Simply press the button and screw in the interchangeable lens.



Tilted Installation Possible (360° Tilt Angle)

The projector can be installed at a 360° tilt angle in the vertical direction. This makes it possible to project images facing directly above or below the projector.

Auto Input Signal Search

When using a conventional projector, you have to physically select the input signal. Auto Input Signal Search automatically determines the input signal when the projector is installed and the power is turned on, and sets the input for you.

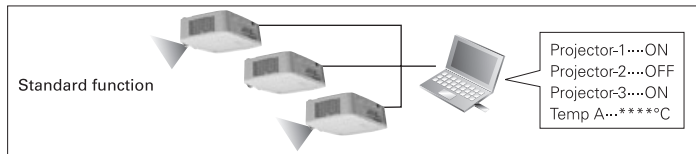
Direct off Function

The projector can be turned off by unplugging the cable without pressing the power button. You can pack up and leave quickly.

A Wired LAN Network Control function* is included as standard equipment.

A centralized management and control system can be easily configured.

* This function comes as standard equipment.



Specifications

Product Number	PLC-XM80 / XM80L	
System	RGB liquid crystal shutter projection system	
LCD Panel	Size	0.8 inch x 3, Aspect Ratio 4:3
	Pixel Count	786,432 (1024 x 768) x3, Total pixels 2,359,296
Projection Lens	Power-driven zoom (1 - 1.7x), f=26.9 - 45.4mm, F = 1.7 - 2.3 *XM80L: Optional lens	
Light Source	275 W	
Screen Size (Projection Distance)	40" - 400" PLC-XM80:1.3 - 22.9m (4.1-75.1') 100": 3.4m - 5.7m(11.2-18.7') (LNS-S20) / PLC-XM80L:Optional lens	
Color Reproducibility (When projecting video signal)	Full color (1.07 billion colors)	
Contrast Ratio (Full On / Full Off)*1	1000:1	
Brightness *1	5,000 lumens	
Uniformity	90 %	
Audio Output and Speaker	7W (monaural) x1	
Scanning Frequency (input)	Horizontal: 15 - 100 kHz, Vertical: 48 - 100 Hz, Dot Clock: 140 MHz or less	
Resolution (resizing) (when using RGB signal)	1024 x 768 dots (WUXGA dot resizing possible)	
Terminals	PC Input	• Digital input (x1): DVI-D (HDCP compatible) • Analog RGB input (x2), D-sub 15, BNC 5-type
	Video Input	• Video input (x3): BNC 3-type (VIDEO / Y-Pb / Cb-Pr / Cr), RCA 3-type (VIDEO / Y-Pb / Cb-Pr / Cr), S-video
Graphical Output	• Analog RGB (x1); D-sub 15 *2	
Audio Input/ Output	• Audio input: Stereo mini jack x2, RCA (Stereo L(mono),R) x 1 • Audio output: Stereo mini jack x1	
Controller Input / Output, and Other	• Control port (x1): D-sub 9 • USB terminal; type B x1 *3 • Wired remote control connection terminal; Mini jack x1 • Wired LAN; RJ-45 (100Base-TX / 10Base-T)	
Operating Temperature	5 - 40 °C	
Power Consumption	100-120 V	420 W (Stand by: Eco 0.4 W / Network15 W)
	200-240 V	397 W (Stand by: Eco 0.6 W / Network17 W)
Power Source	100 - 240 V AC, 50 / 60 Hz	
Dimensions (WxHxD)	489.5 x 164.0 x 434.8 mm 19.3 x 6.5 x 17.1 inch (PLC-XM80) 489.5 x 164.0 x 371.1 mm 19.3 x 6.5 x 14.6 inch (PLC-XM80L)	
Weight	PLC-XM80: 9.3 kg (20.5 lbs), PLC-XM80L: 8.5 kg (18.7 lbs)	
Main Accessories	Removable power cord x1, D-sub 15 cable x1, PIN code-label, Lens Mount Cover, Owner's manual(Quick Manual & CD-ROM), Remote control x1 (AAA battery x2)	

Replacement Lamp Type No.; POA-LMP137

*1 Measurement, measuring conditions, and method of notation all comply with ISO 21118 international standards. *2 For analog signals only. Some restrictions apply to output signals. Not all types of input signals are supported. *3 The USB interface may not be compatible with every USB device. * All product names and company names are trademarks or registered trademarks of their respective companies. * Product appearance and specifications are subject to change without notice.



All products manufactured by the Projector Division of SANYO's Digital System Company employ a quality management system that has undergone the inspection and registration process of the ISO 9001 international standard.

Other Feature

- 7-Watt Speakers
- Antitheft Hook

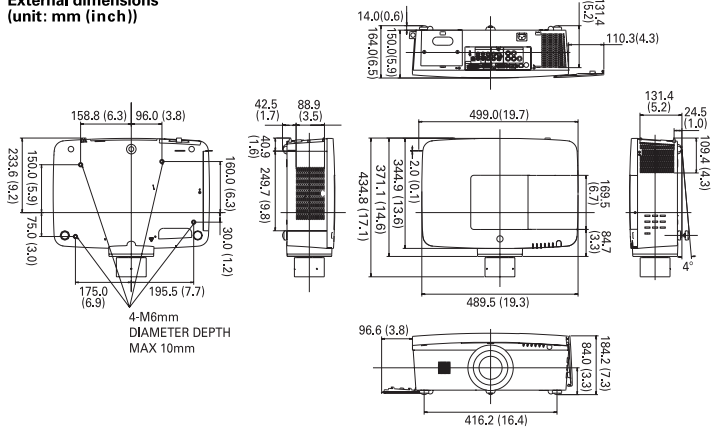
Optional Lenses

Part Number	LNS-W21		LNS-W20		LNS-S20		LNS-T20		LNS-T21	
Type	Short Fixed Lens		Short Zoom Lens		Standard Zoom Lens		Long Zoom Lens		Long Zoom Lens	
Motor Driven	No		Yes		Yes		Yes		Yes	
Zoom/Focus	Fixed/Power		x1.3/Power		x1.7/Power		x1.6/Power		x1.6/Power	
Focal length(mm/inch)	13.05	0.51	20.4-27.6	0.80-1.09	26.9-45.4	1.06-1.79	45.6-73.8	1.80-2.91	73.9-117.1	2.91-4.61
F value	2.0		1.8-2.3		1.7-2.3		1.8-2.3		1.8-2.3	
Lens aperture (φ mm/inch)	101.6	4.00	115.0	4.53	93.5	3.68	88.5	3.48	88.5	3.48
Lens weight (Kg/lbs)	1.08	2.38	1.20	2.64	0.85	1.87	1.18	2.60	1.20	2.64
Part Number	H1:H2		10:0-0:10(approx.)		10:0-0:10(approx.)		10:0-0:10(approx.)		10:0-0:10(approx.)	
Throw Ratio	W1:W2		3-2-2:3(approx.)		3-2-2:3(approx.)		3-2-2:3(approx.)		3-2-2:3(approx.)	
Throw Ratio	0.8:1		1.3-1.70:1		1.7-2.8:1		2.8-4.6:1		4.6-7.2 :1	
Throw distance	m ft		m ft		m ft		m ft		m ft	
inch	WxH(m)		Wide	Tele	Wide	Tele	Wide	Tele	Wide	Tele
40	0.8 x 0.6	0.60 1.97	0.98 1.3	3.2 4.3	1.3 2.2	4.3 7.2	2.2 3.6	7.2 11.8	3.6 5.7	11.8 18.7
60	1.2 x 0.9	0.93 3.06	1.5 2.0	4.9 6.6	2.0 3.4	6.6 11.2	3.4 5.5	11.2 18.0	5.5 8.7	18.0 28.5
80	1.6 x 1.2	1.26 4.14	2.0 2.7	6.6 8.9	2.7 4.5	8.9 14.8	4.5 7.4	14.8 24.3	7.3 11.7	24.0 38.4
100	2.0 x 1.5	1.59 5.22	2.5 3.4	8.2 11.2	3.4 5.7	11.2 18.7	5.7 9.2	18.7 30.2	9.2 14.7	30.2 48.2
120	2.4 x 1.8	1.92 6.30	3.1 4.1	10.2 13.5	4.0 6.8	13.1 22.3	6.8 11.1	22.3 36.4	11.1 17.7	36.4 58.1
150	3.0 x 2.3	2.42 7.93	3.8 5.2	12.5 17.1	5.1 8.5	16.7 27.9	8.6 14.0	28.2 45.9	13.9 22.2	45.6 72.8
200	4.1 x 3.0	3.24 10.63	5.1 6.9	16.7 22.6	6.7 11.4	22.0 37.4	11.4 18.7	37.4 61.4	18.7 29.7	61.4 97.4
250	5.1 x 3.8	4.07 13.34	6.4 8.7	21.0 28.5	8.4 14.3	27.6 46.9	14.3 23.4	46.9 76.8	23.4 37.2	76.8 122.0
300	6.1 x 4.6	4.89 16.05	7.7 10.4	25.3 34.1	10.1 17.2	33.1 56.4	17.2 28.1	56.4 92.2	28.1 44.7	92.2 146.7
350	7.1 x 5.3	5.72 18.75	9.0 12.2	29.5 40.0	11.8 20.1	38.7 65.9	20.1 32.8	65.9 107.6	32.8 52.1	107.6 170.9
400	8.1 x 6.1	6.54 21.46	10.2 13.9	33.5 45.6	13.5 22.9	44.3 75.1	23.0 37.5	75.5 123.0	37.5 59.6	123.0 195.5

* Approximate project distances are calculated based on lens specifications. Individual lenses diverge from this figure by to 5% due to slight variations in lens size shape. For details, please visit the website (<http://sanyo.com/projector/>).

External dimensions

(unit: mm (inch))



<http://sanyo.com/projector/>

Caution: Please consult the instruction manual to ensure safe and proper operation of the product.

Distributed by:



Pixelworks ICs are used in this projector



SANYO Electric Co., Ltd.
Digital System Company